

# Royalston Historic District Commission

P.O. Box 125

Royalston, Massachusetts, 01368

Web site: <http://www.royalston-ma.gov>

E-mail: [hdc@royalston-ma.gov](mailto:hdc@royalston-ma.gov)

## Application for Certificate

### Instructions:

- Use separate applications for changes that are not related to each other.
- Include sketches or pictures showing design, sizes, colors, materials, etc. (a sketch is worth a thousand words).
- File five copies of the completed application at an HDC meeting; or mail, e-mail or give them to a commission member for filing at the next meeting.
- It is recommended that applicants attend the meeting or send an agent. Even well prepared applications generate questions and answering them quickly will avoid delays.
- Certificates expire a) after one year if the work was not started and pursued diligently, or b) in case of sale.
- If you have any questions, please contact the Commission.

Date 7/4/15  
Address of Property 14 On the Common  
Owner's Name Joe & Linda Migliorzi  
Applicant's Name Linda Migliorzi  
Applicant's mailing address: Street/P.O. Box 14 On the Common PO Box 87  
City, State, Zip Royalston Ma 01368

Please check the certificate applied for:

Appropriateness

Non-Applicability

Hardship

Short description of the proposed changes. (Provide the details on page 2 and on additional sheets and exhibits as necessary).

New custom made front entry door to match exactly the current door. The door is made from mahogany. We would like to keep the natural mahogany color and not black. Hardware for door is attached (please approve).

Linda Migliorzi  
Applicant's Signature

### For Office Use Only

Date Filed July 16, 2015 Received by P. Hunt Application Number 2015-07-1

Date Accepted for consideration July 16, 15 Public Hearing  Notices mailing date(s) July 29, 2015

Continuation date \_\_\_\_\_ Applicant's signature \_\_\_\_\_ Date \_\_\_\_\_

Decision Approved Chairperson's signature [Signature] Date 8-20-15

Comments or conditions Application amended July 17, 2015 to have the door painted black

Submitted via Email 7/6/15



click here for details

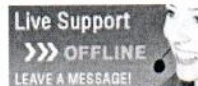


# Baldwin Hardware Direct

Decorative Hardware, Plumbing, Lighting and More

1-800-358-2469

Login | My Account | Contact Us | Blog | View Basket

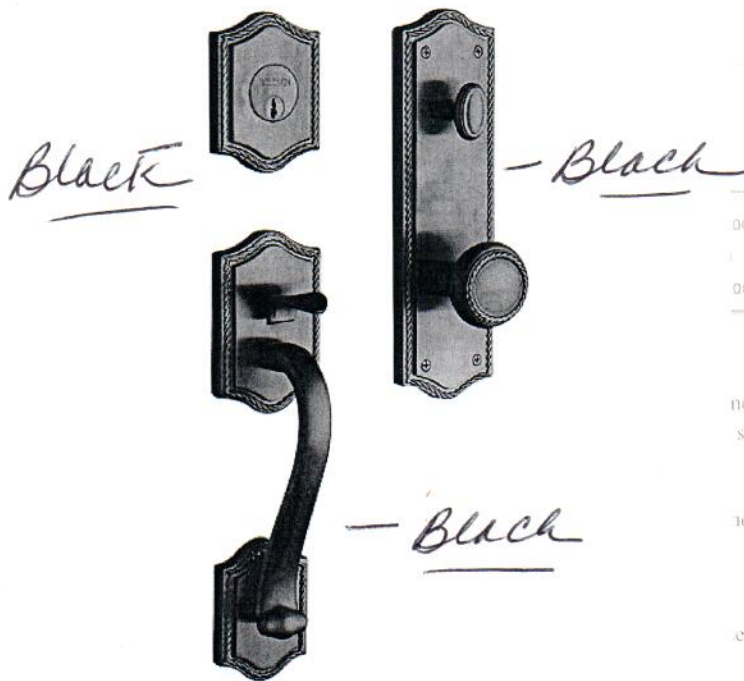
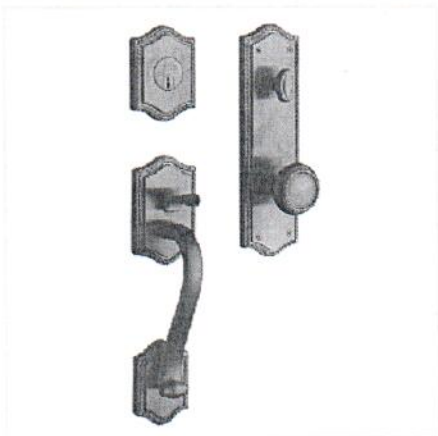


More search options

Home Hardware Lighting Kitchen Bathroom Cabinet Knobs & Pulls Home Decor & Furnishings Ornaments Specials Help Section

- Free Shipping When you spend \$89
- Easy Returns 90 Day Return Policy\*
- Pro Pricing
- Track Your Order
- Live Chat
- Coupons

## Configure: Bristol Sectional Emergency





nob or lever options simultaneously)

and 2.25" thick doors (2 point

### Exterior Finish

Please select the desired exterior finish. Shown in 050 Satin Brass and Black Finish. [Click to View Finishes](#)

### Interior Finish

Please select the desired interior finish. [Click to View Finishes](#)

### Interior Knob/Lever

To custom order this Entrance Set with any Estate knob or lever, please call 1-888-793-2469

[Click to View all Estate Knobs](#)  
[Click to View all Estate Levers](#)

 5084 Bristol Knob

### Door Handing

Is your door right or left handed? Click on the link below to check: [Here's how to check](#)

### Door Thickness

Bristol Sectional Emergency Egress Handleset

*Exterior  
Front & Kitchen  
Side Door*

[Learn More About Baldwin Finishes](#)

